

MPRV

Pressure Safety Valve MPRV for Oil Filled Transformers



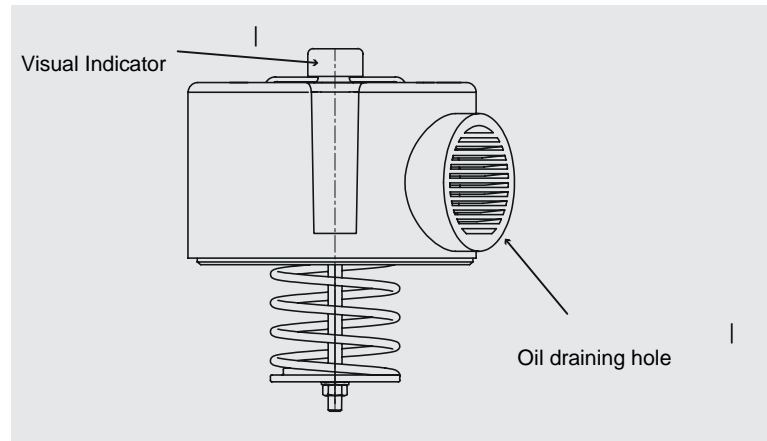
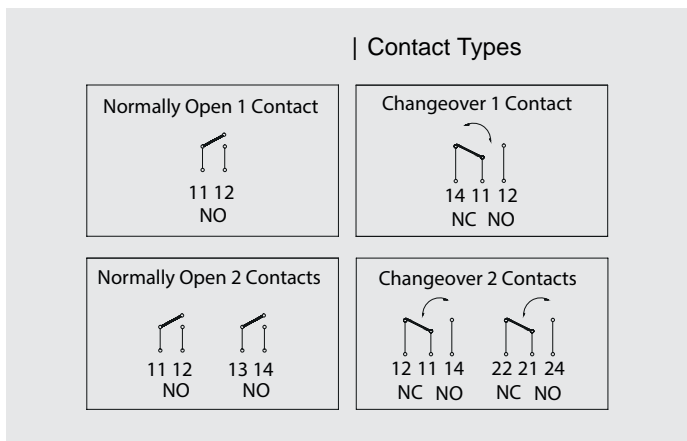
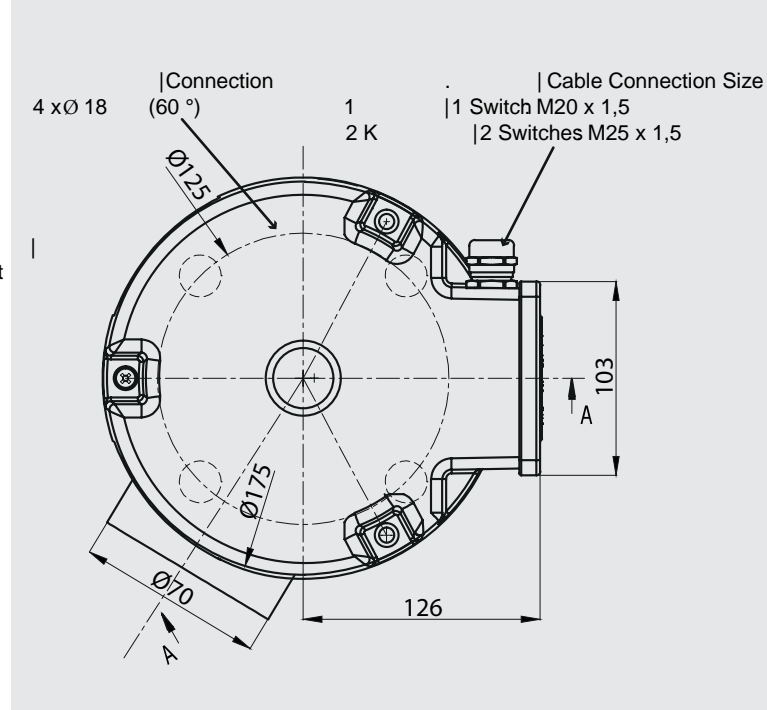
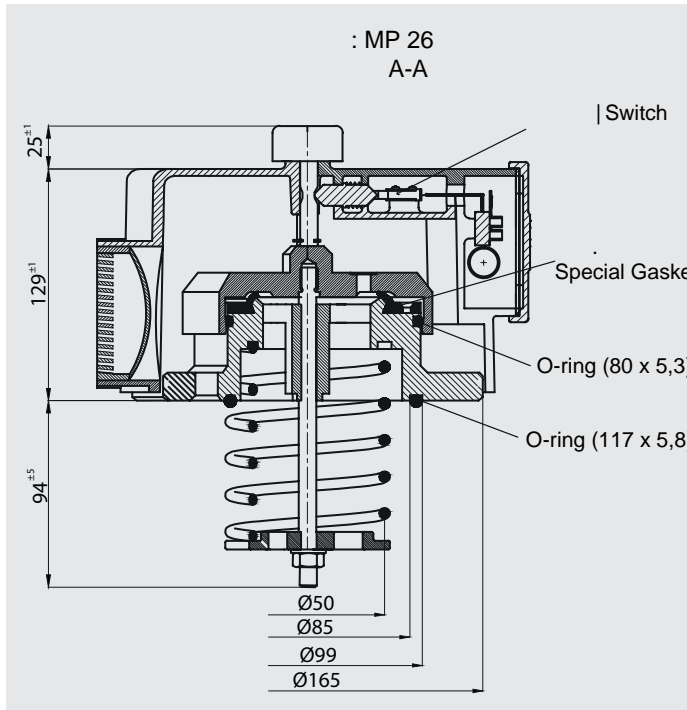
: -25 °C / +100 °C
30 - 70 kPa



- Pressure relief of increasing pressure
- Protected internal mechanism
- Corrosion resistant coating
- Adjustable pressure between 30 - 70 kPa
- Temperature range: -25 °C / +100 °C
- Visual operation indicator

MPRV-50

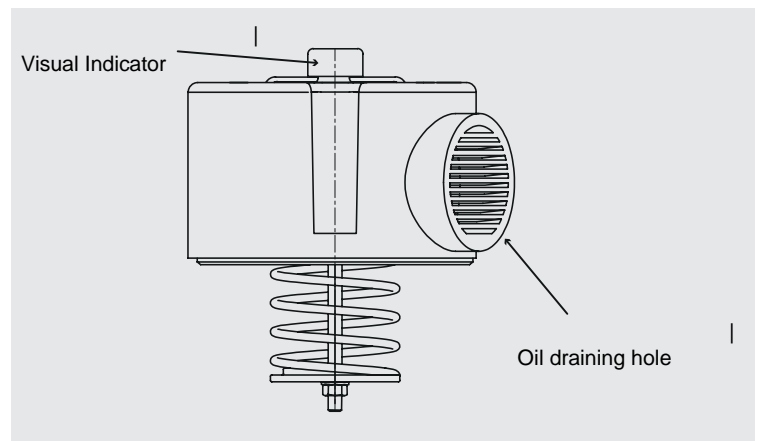
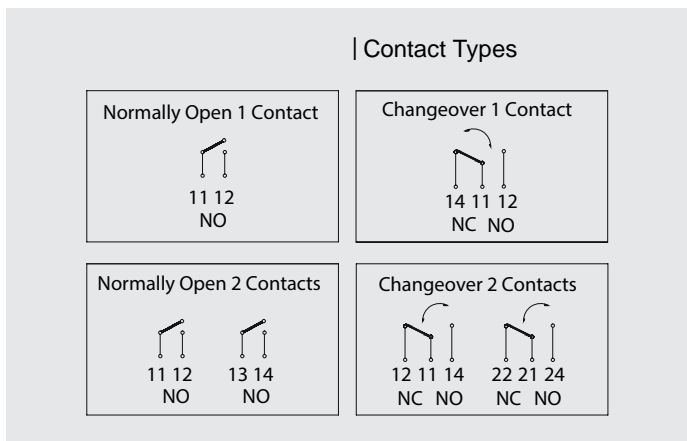
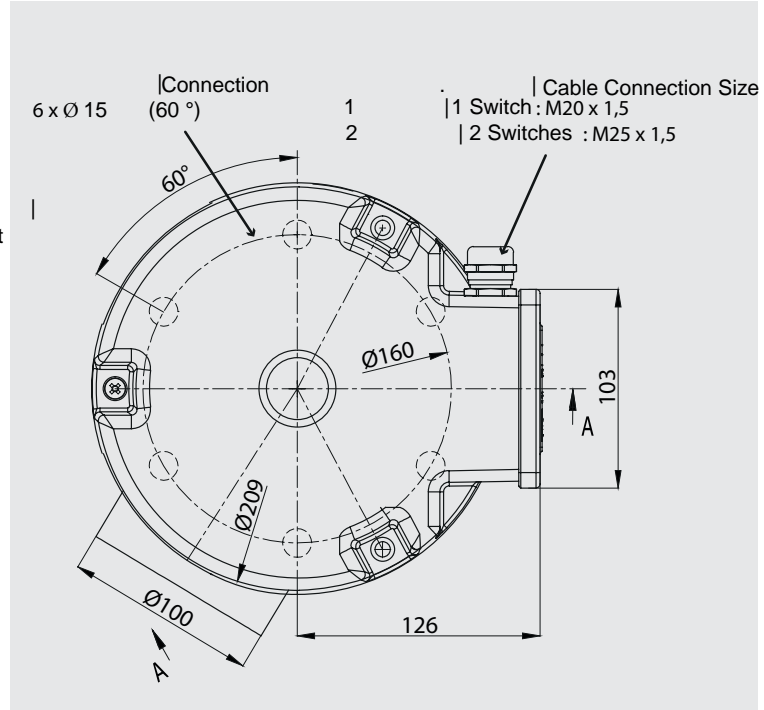
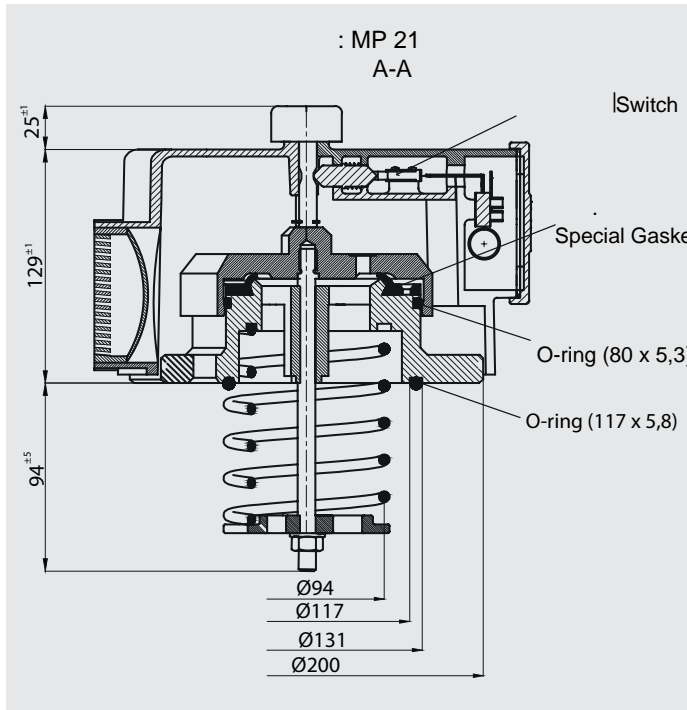
Pressure Safety Valve Type MPRV-50



Switch Type	Voltage (V)	Inductive Load (A)		Motor Load (A)	
		NC	NO	NC	NO
SS5GL-2	125 (AC)	3 A		2,5 A	1,3 A
	250 (AC)	2 A		1,5 A	0,8 A
	30 (DC)	3 A		3 A	
	125 (DC)	0,4 A		0,05 A	
	250 (DC)	0,2 A		0,03 A	

MPRV-80

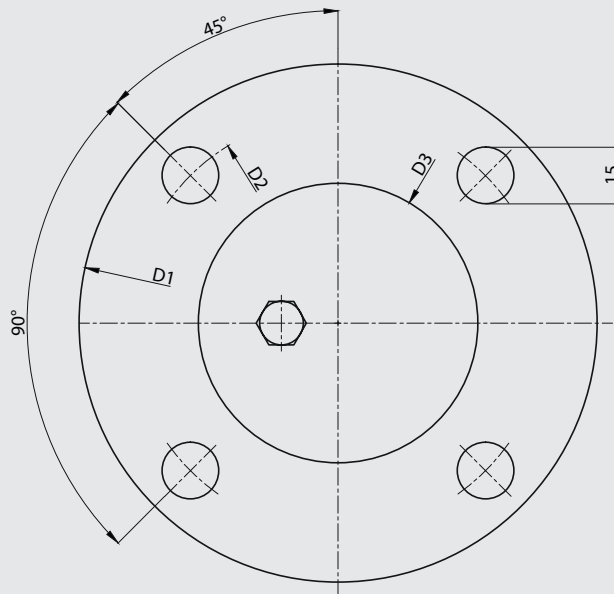
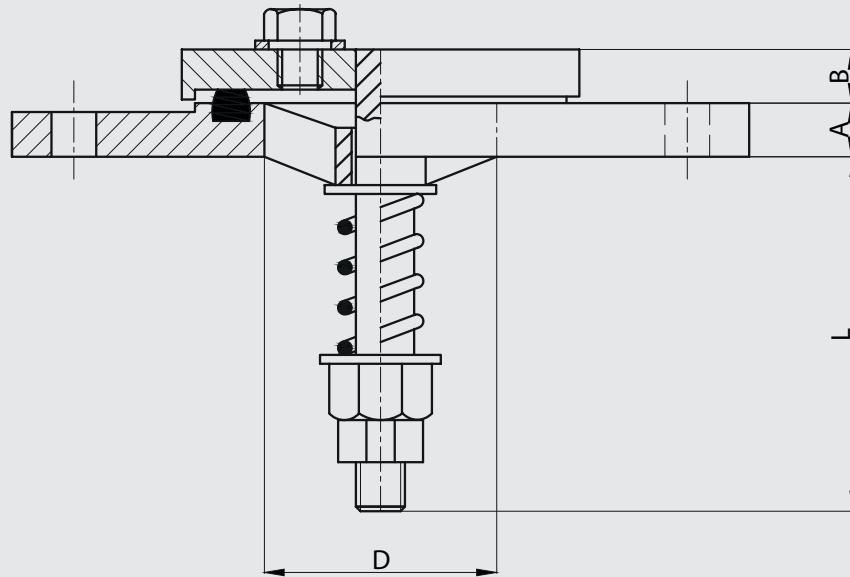
Pressure Safety Valve Type MPRV-80



Switch Type	Voltage (V)	Inductive Load (A)		Motor Load (A)	
		NC	NO	NC	NO
SS5GL-2	125 (AC)	3 A		2,5 A	1,3 A
	250 (AC)	2 A		1,5 A	0,8 A
	30 (DC)	3 A		3 A	
	125 (DC)	0,4 A		0,05 A	
	250 (DC)	0,2 A		0,03 A	

MPRD-80V / MPRD-50V

Pressure Safety Valve Type MPRD-80V / MPRD-50V



Code No.	Type	L max.	A	B	D	D1	D2	D3
MP22	MPRD 50 V	92	12	6	52	165	125	79
MP23	MPRD 80 V	139	14	6	80	200	160	117