

Bimetallic Thermometer MBT

-
-
-
-
-
-

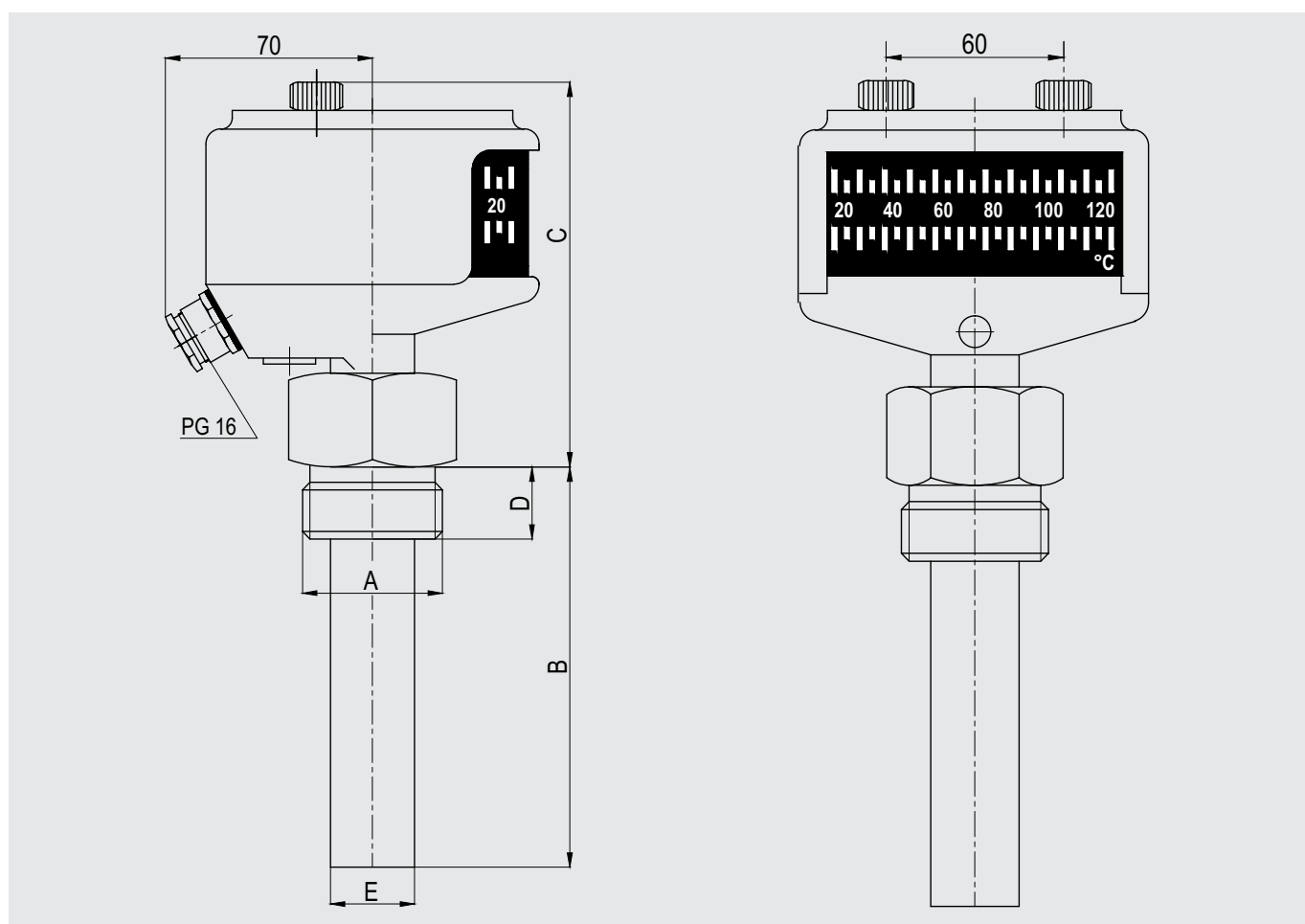
10 °C - 120 °C

IP 55

- Temperature measurement between 10 °C - 120 °C
- Adjustable limit contacts
- Resettable max. indicator
- UV-resistant polycarbonate
- Degree of protection IP 55
- Corrosion resistant materials



Bimetallic Thermometer MBT Types and Dimensions



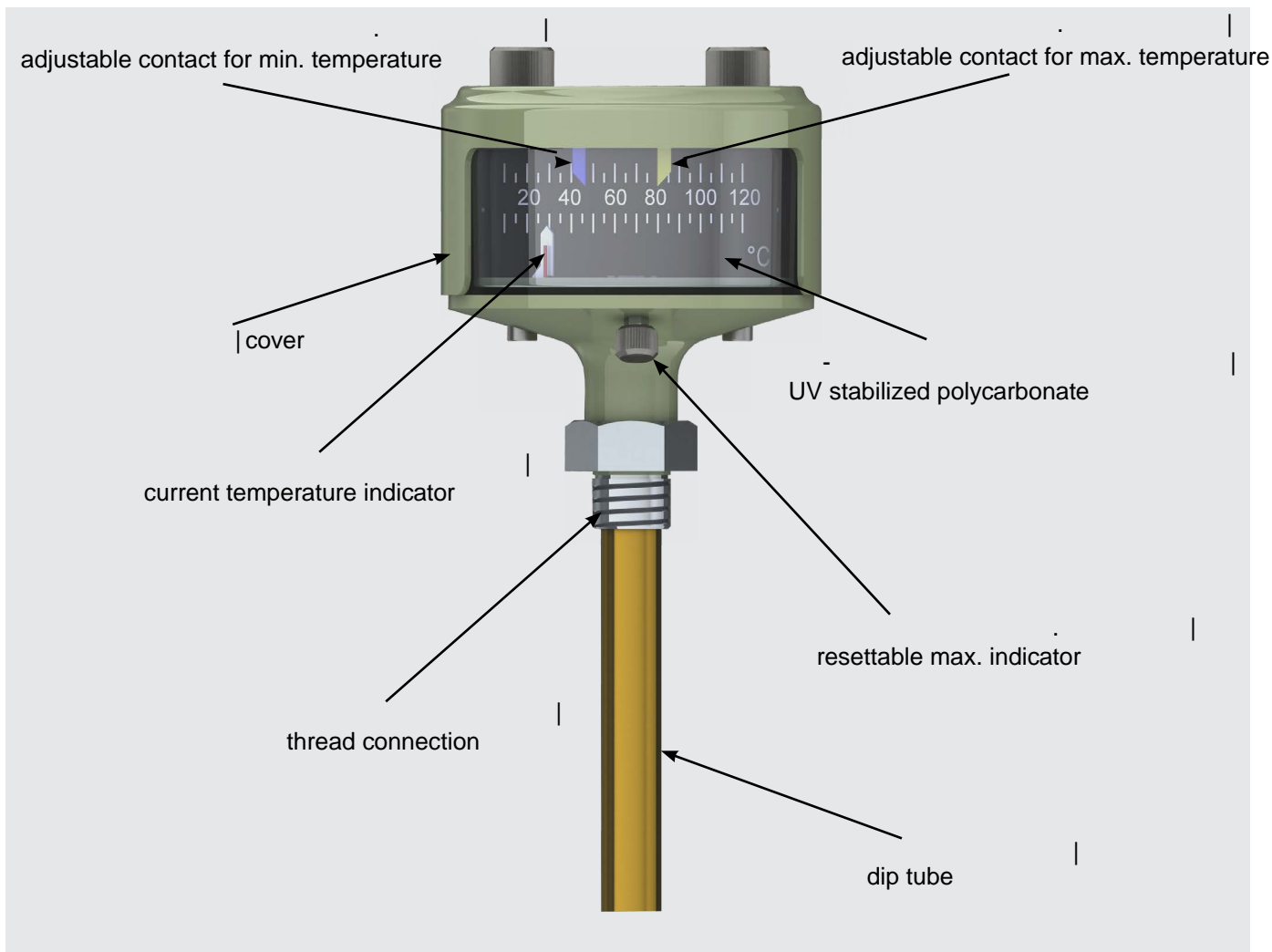
Types				Dimensions				
With contact		Without contact		A	B±1	C	D	E
MBTC 14	MT 11	MBT0 14	MT 41	R 1/2"	106	117	12	15
MBTC 16	MT 21	MBT0 16	MT 51	R 1"	106	117	12	17
MBTCA 16	MT 31	MBT0A 16	MT 61	R 3/4"	106	117	12	17

Bimetallic Thermometer MBT Technical Specifications

Technical Specifications

switches	(. / .) adjustable (min./max.) contacts upon request
oil temperature scale	10 °C - 120 °C
body	diecasted aluminium, powder coated
coating	RAL 7032 7033 7035 7038
cover	- UV stabilized polycarbonate
ambient operating temperature	- 40 °C - 70 °C
degree of protection	IP 55 (EN 60529)
number of switches	2 up to 2 switches
dielectric isolation	2000 V / 1 min
switch rating	5 A 250 VAC / 0.2 A 250 VDC
tolerance	±5 °C (50 °C - 120 °C)
cable gland	PG 16

Bimetallic Thermometer MBT Functions in Detail



| Connection Diagram (EN 50005)

