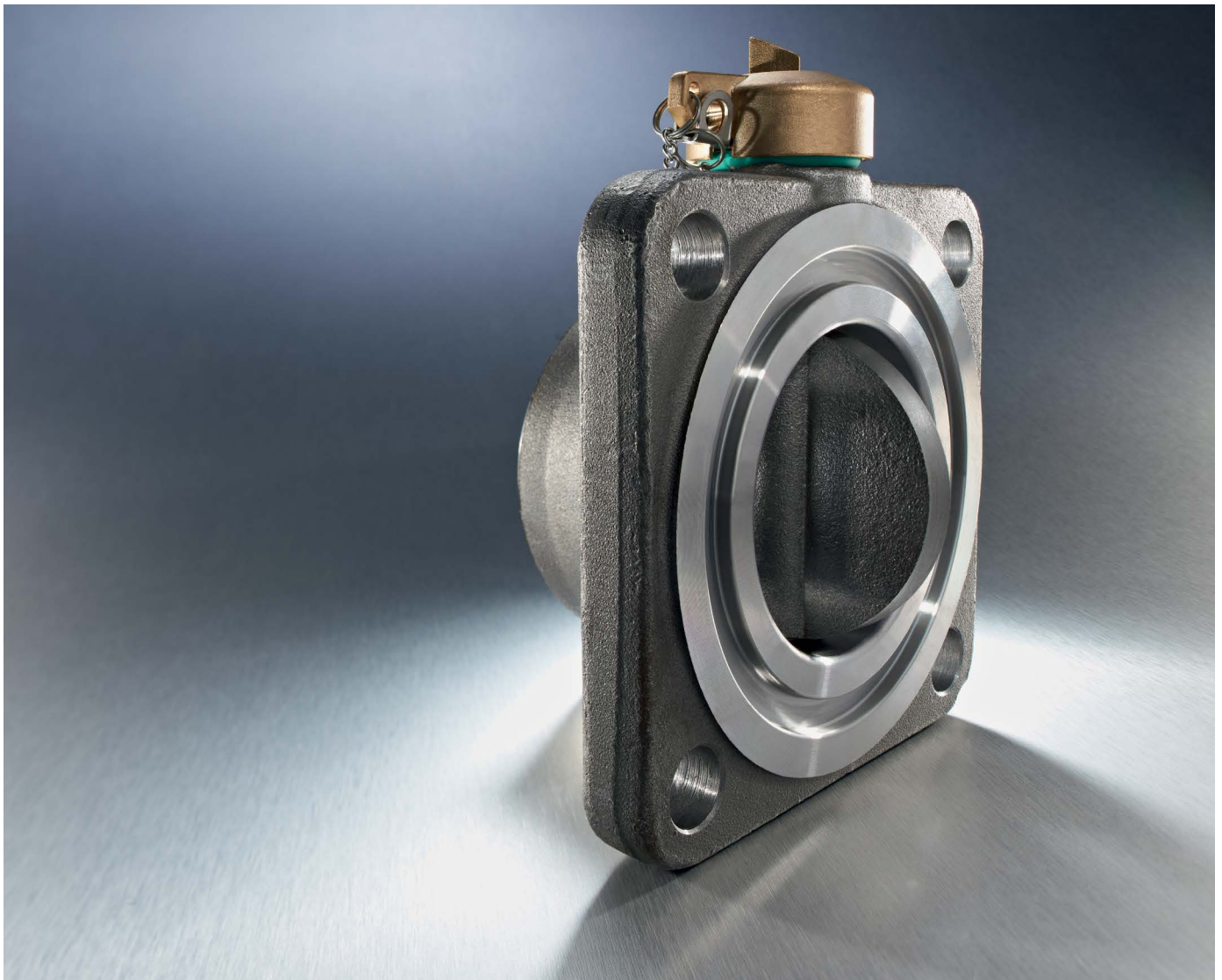


65

Radiator Valves for Transformers

Our Specialty for More Than 65 Years



The Most Reliable Radiator Valves



Metal-sealed Clap

Leakproofness and durability are the key success factors of our radiator valves. Each valve is routine tested individually and either produced as an intermediate angle design Type B or to be welded onto the transformer tank as Type A.

Your Benefit at a Glance

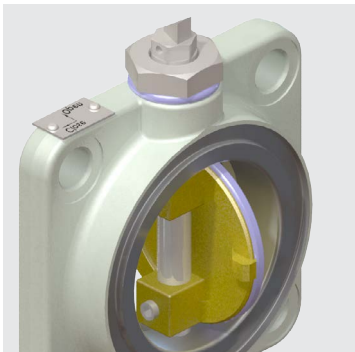
- The valve bodies are made of forged steel. This guarantees absolute leak tightness in operation condition
- The solid clap ensures minimum leakage and prevents accidental operation by means of its closed position
- The setting device with the isolated concept of thrust member and screw prevents leakage for lifetime

- Nominal diameter: DN 80
- DIN 42560 EN 50216-8
- Welding neck angle: Type A
- Wafer type angle: Type B

Technical Information

- Nominal diameter: DN 80
- DIN 42560 and EN 50216-8
- Welding neck angle: Type A
- Wafer type angle: Type B

Special Designs



OR B OR
O-ring.

Soft-sealed Clap

- For special requirements each valve type is available with a soft-sealed clap. The soft-sealed valves are as well available as welding neck type or wafer type design. The Type A OR and Type B OR valves don't show any leakage when vacuum or overpressure will be applied due to the O-ring sealing at the clap.



- SOLIDLINE®
(B B OR)
- (B OR)

Offshore Installation

- Our radiator valves for highest requirements in terms of reliability and resistance to corrosion:
-
- SOLIDLINE® coating or valve body made of stainless steel 316 grade (Type B and B OR)
- Valve body made of stainless steel 316 (Type A and A OR)



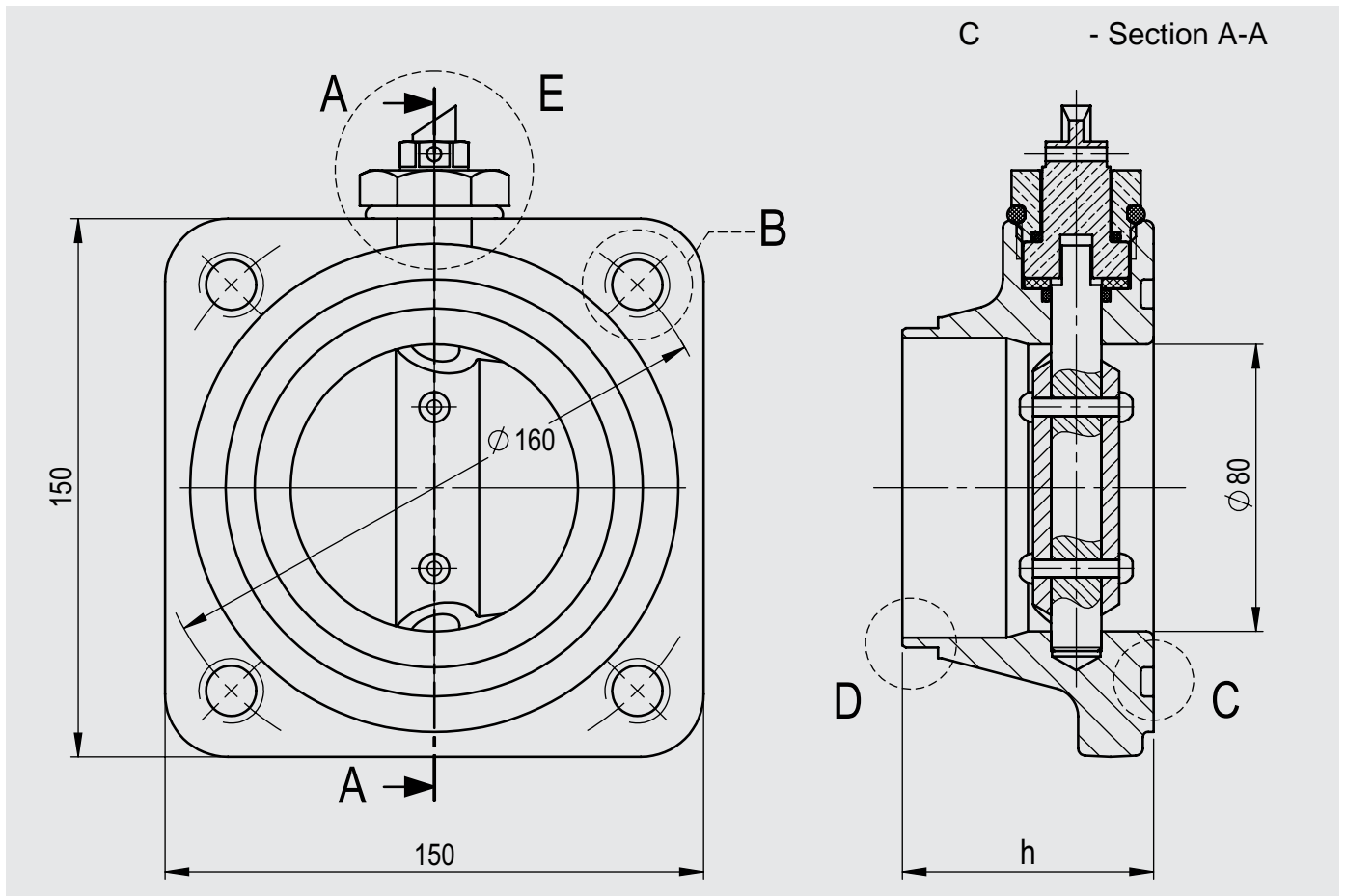
- A A OR
- B B OR

Low-temperature Design

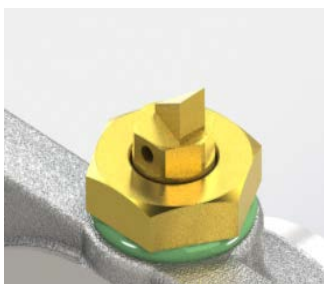
- For reliable operation in extreme cold environmental conditions we adjust our valves with special gaskets resistant to all common insulation liquids for use in ambient temperatures until -60 °C.
- Available types:

- Type A und Type A OR
- Type B und Type B OR

Radiator Valve Type A Welding Neck Flange



Detail E: / Setting Device



Standard



Handle

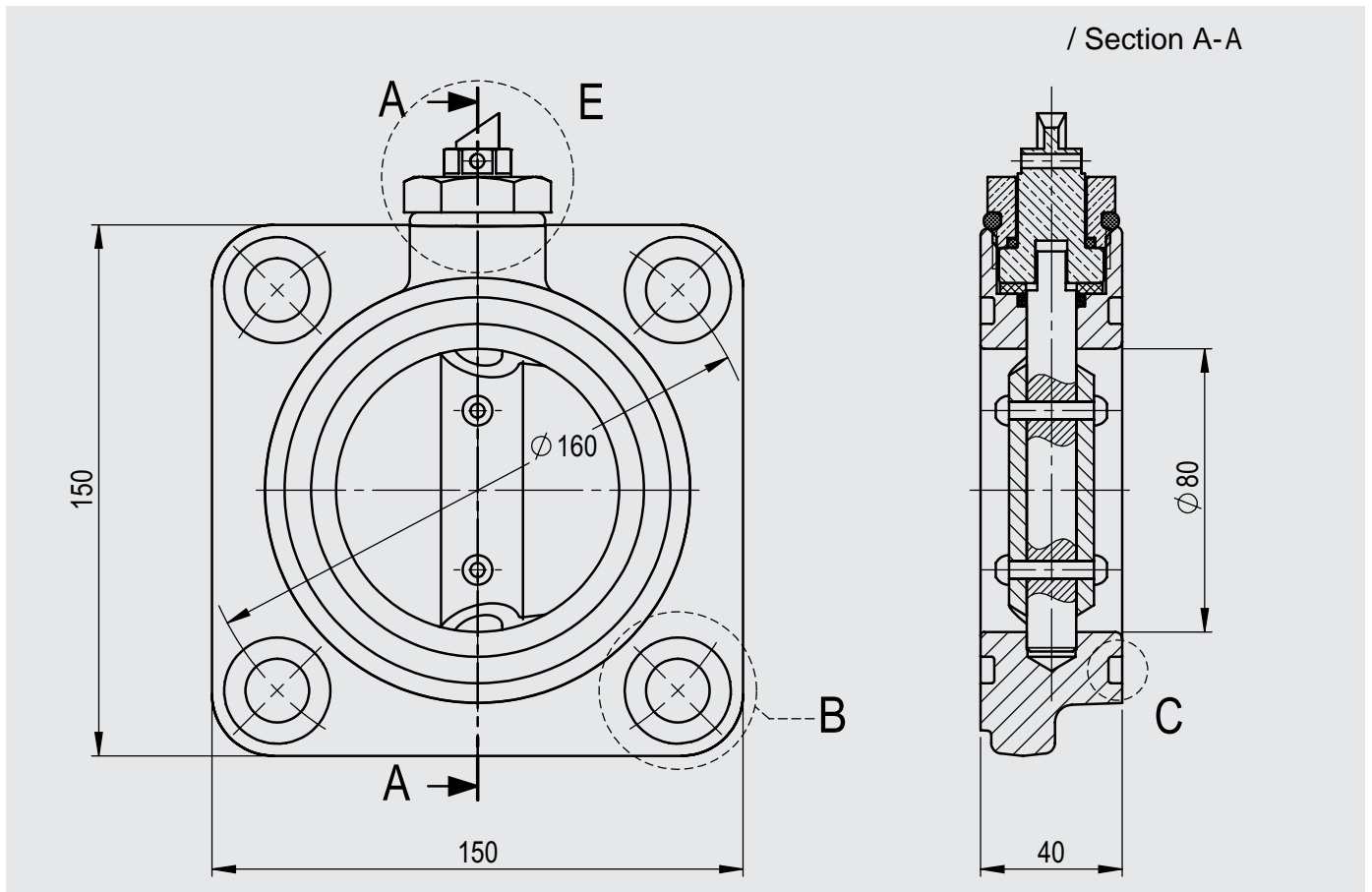


Locking Cap



Locking Handle

Radiator Valve Type B Wafer Type Flange



Detail	A / A OR Type A / A OR	B / B OR Type B / B OR
B	M16 / 18	18 / M16 (optional)
C	/ upon request	/ upon request
D	/ upon request	-
E	/ see above	/ see above
h	70 / 85	40
/ Coating	-	RAL 7032 / 7033 / 7035 / 7038 /others upon request

References

For every task there's an ideal solution.
We're looking forward to assist you with finding the best solution for yours.

Get in touch with us.

SIEMENS

The SGB logo consists of the letters "SGB" in a bold, black, sans-serif font, with "STARKSTROM" written in a smaller font below it.

Partners in Power

The SMIT logo features the letters "SMIT" in a bold, black, sans-serif font, with "TRANSFORMERS" written in a smaller font below it.

ABB

Schneider Electric

ALSTOM

TOSHIBA

The G logo is a stylized, bold, black letter "G" with a white arrow pointing left inside it.The International BEZ Group logo features the word "International" at the top, "BEZ" in a large, stylized font with a lightning bolt through it, and "Group" at the bottom.