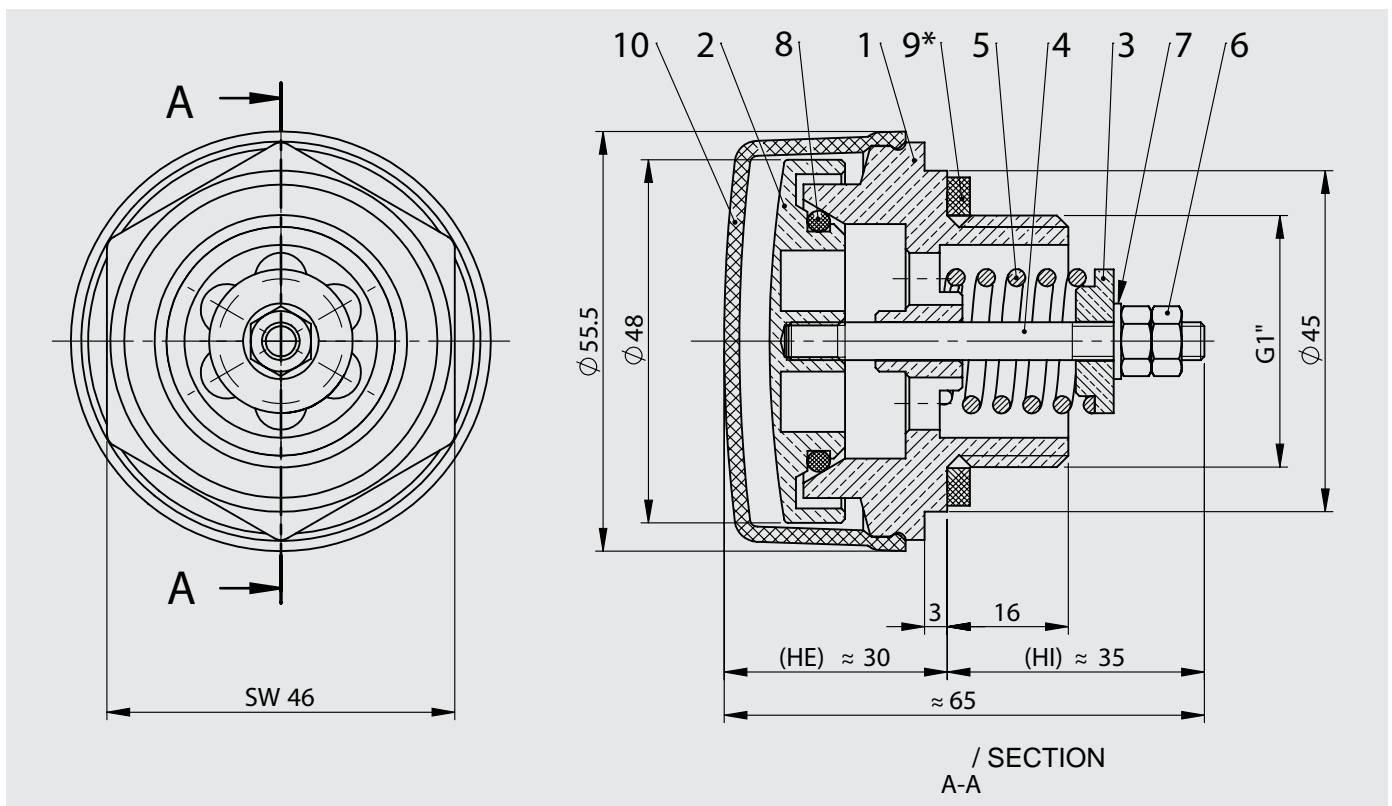


PRD 1" LT -60 °C

DIN EN 50216-5 -

Pressure Relief Device PRD 1" LT -60 °C
DIN EN 50216-5 - low temperatures

20 70 k (-5/+7 k). Setting value on request between 20 and 70 kPa (-5/+7 kPa).
The set value will be stamped onto the body.
: -60 / +125 °C. Range of temperature: -60 / +125 °C.



Item	Q'ty	Description	Remarks
1	1	body	CuZn39Pb2 (CW612N)
2	1	valve cap	CuZn39Pb2 (CW612N)
3	1	centering washer	CuZn39Pb2 (CW612N)
4	1	stud bolt	X8CrNiS18-9 (1.4305) AISI 304
5	1	spring	X10CrNi18-8 (1.4310) AISI 301
6	2	nut	DIN 934 - M 5 / A2-70
7	1	washer	DIN 125 A - M 5 / A2
8	1	O-Ring O-ring	FVMQ -60 °C
9*	1	gasket	Hecker Centellen WS 3820 / 34 x 46 x 3
10	1	protection cap	PA6

* | upon request



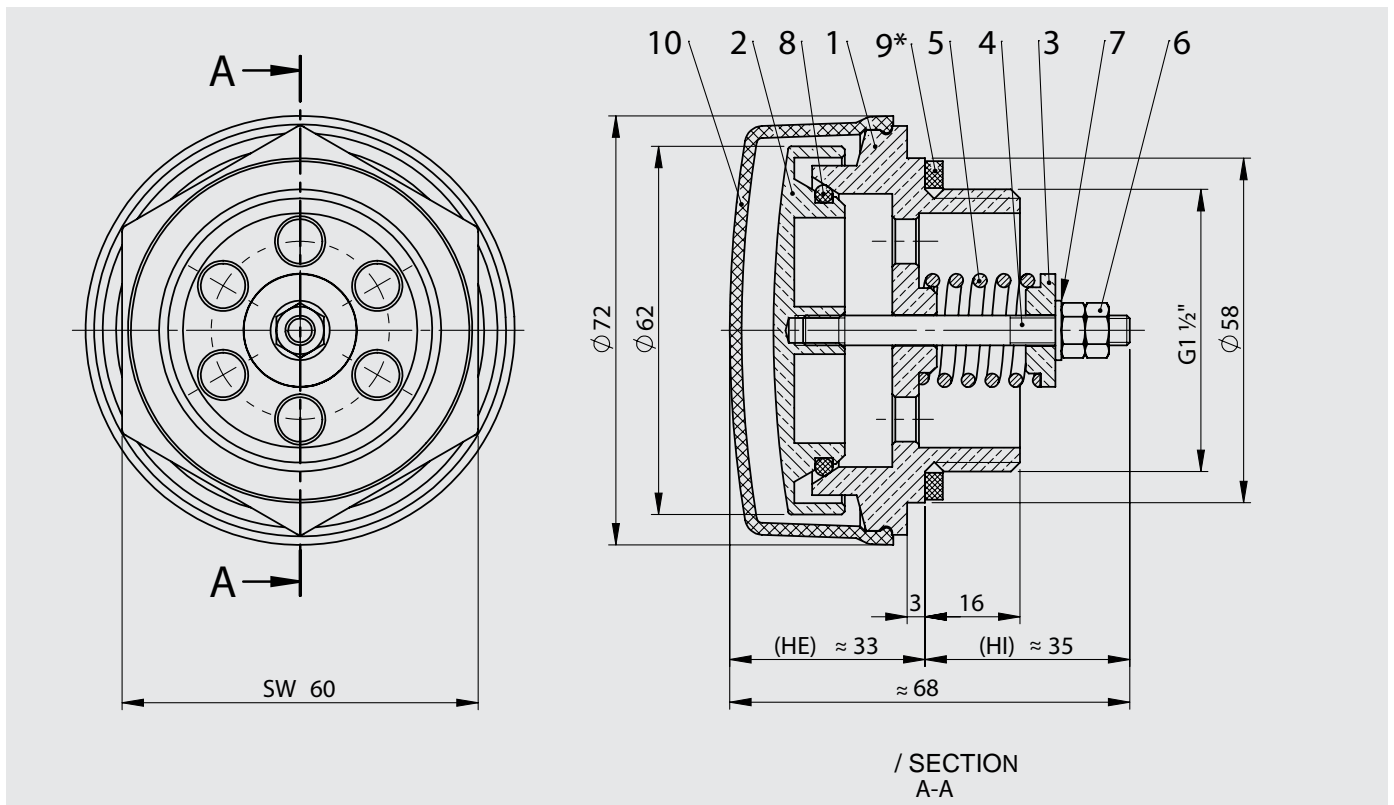
PRD 1 “

Pressure Relief Device PRD 1 “

20 70 (-5/+7 kPa).

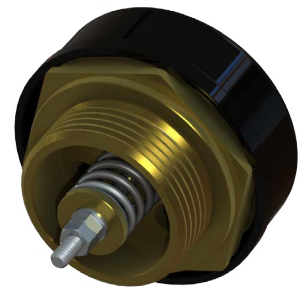
Setting value on request between 20 and 70 kPa (-5/+7 kPa).

The set value will be stamped onto the body.



Item	Q'ty	Description	Remarks
1	1	body	CuZn39Pb2 (CW612N)
2	1	valve cap	CuZn39Pb2 (CW612N)
3	1	centering washer	CuZn39Pb2 (CW612N)
4	1	stud bolt	X8CrNiS18-9 (1.4305) AISI 304
5	1	spring	X10CrNi18-8 (1.4310) AISI 301
6	2	nut	DIN 934 - M 5 / A2-70
7	1	washer	DIN 125 A - M 5 / A2
8	1	O-Ring O-ring	FKM (Viton)
9*	1	gasket	Hecker Centellen WS 3820 / 49 x 55 x 3
10	1	protection cap	PA6

* | upon request



PRD 2"

DIN EN 50216-5

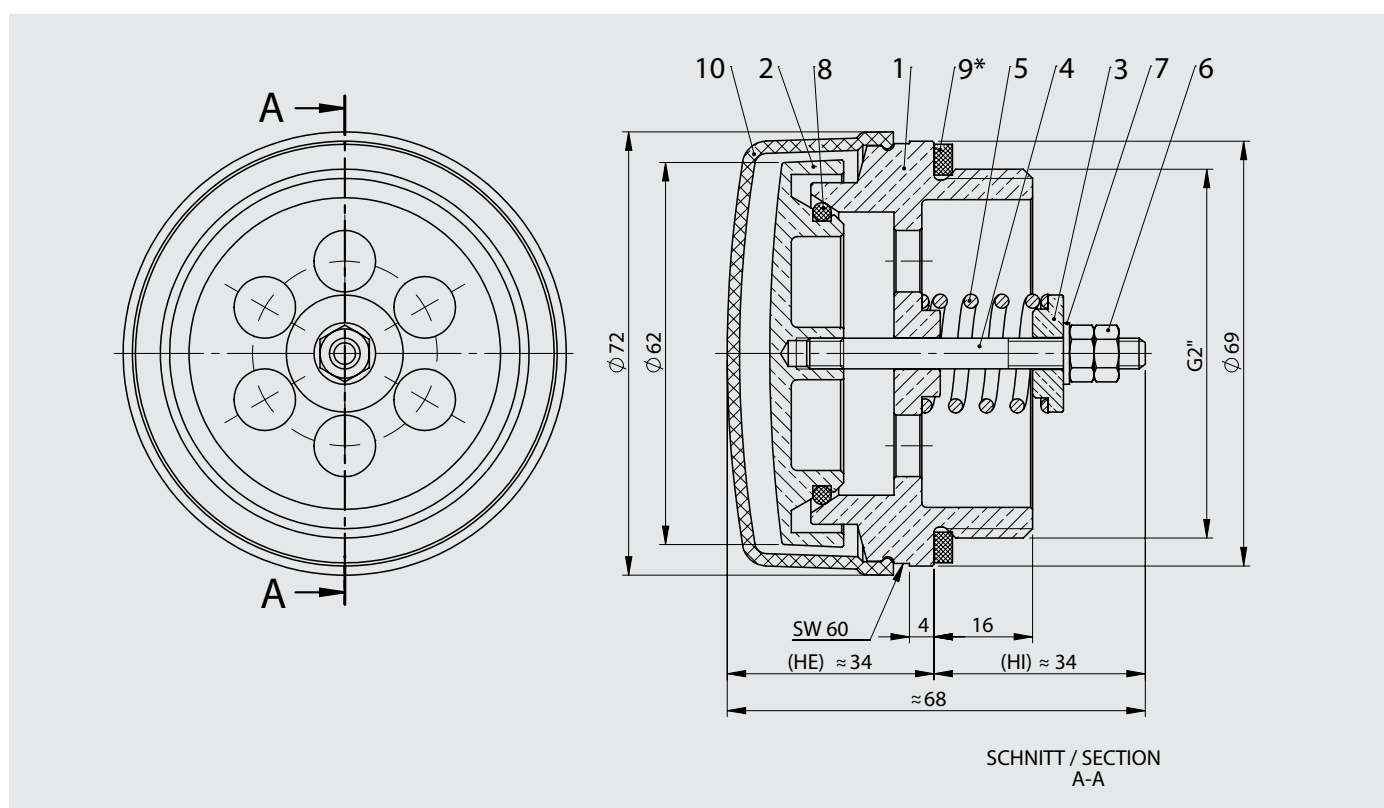
Pressure Relief Device PRD 2"

DIN EN 50216-5

20 70 (-5/+7 kPa).

Setting value on request between 20 and 70 kPa (-5/+7 kPa).

The set value will be stamped onto the body.



Item	Q'ty	Description	Remarks
1	1	body	CuZn39Pb2 (CW612N)
2	1	valve cap	CuZn39Pb2 (CW612N)
3	1	centering washer	CuZn39Pb2 (CW612N)
4	1	stud bolt	X8CrNiS18-9 (1.4305) AISI 304
5	1	spring	X10CrNi18-8 (1.4310) AISI 301
6	2	nut	DIN 934 - M 5 / A2-70
7	1	washer	DIN 125 A - M 5 / A2
8	1	O-Ring O-ring	FKM (Viton)
9*	1	gasket	Hecker Centellen WS 3820
10	1	protection cap	PA6

* | upon request

